

WZE100 系列自锁定继电器 LOCKOUT

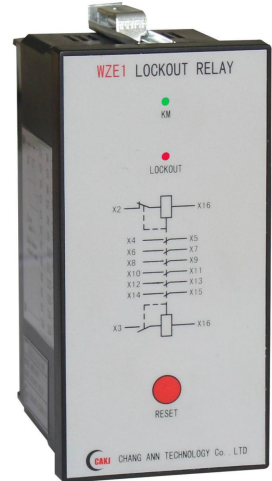
一. 功能

本继电器适用于与发电变组保护和变压器保护配合，实现 1 路输入，最多 9 副接点的快速跳闸出口保护及发信。出口跳闸时间不大于 10ms，保证快速性。

安装方式：嵌入式安装，卡扣固定，可以远方和就地复归。

二. 产品型号规格

型号	常开	常闭	电源	说明
WZE1				自锁定继电器
	6	0		6 开 0 闭
	3	3		3 开 3 闭
	6	3		6 开 3 闭
	N	N		用户自定（最多 9 付接点）
			V1	DC110V
			V2	DC220V
			V3	DC125V
			V4	用户自定



三. 技术参数

额定电压 Un: 220VDC/125VDC/110VDC

动作值范围: <75%Un

输入回路: 1 路

复归方式: 手动/远方

允许偏差: -20%~15%

纹波系数: <5%

动作时间: typ.=8ms max=10ms

开出回路: 最多 9 路, 常开/常闭可选

触点持续工作电流: 在 110V 直流电压下, 2s 内允许通过电流不小于 10A, 0.2s 内 30A(注: 不用于断弧); 在直流电压 110V 有感回路中 (t<40ms) 中的断开容量不小于 30W。

额定功率: ≤10W; 触点最大电流: 8A

触点容量: 8A@250VAC, 10A@30VDC

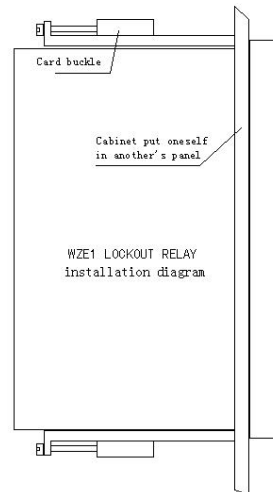
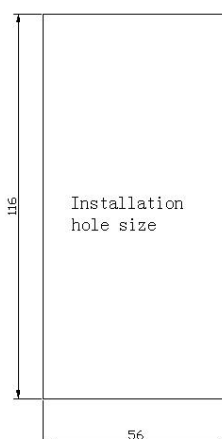
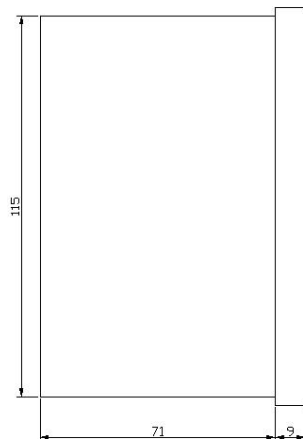
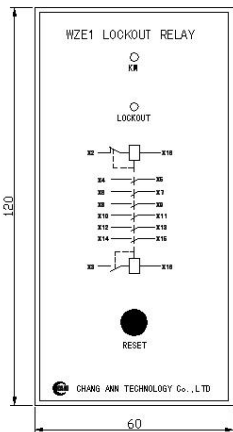
耐压性能: 线圈与触点之间 2000VAC(1minute)

绝缘电阻 ≥100MΩ, 漏电流 ≤10mA

温度范围: 工作温度 -40℃~ +70℃

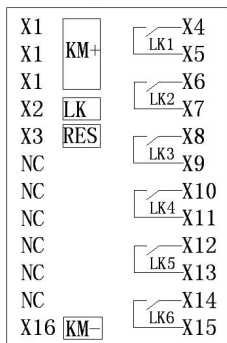
储存温度 -40℃~ +85℃

四. 外形及开孔尺寸

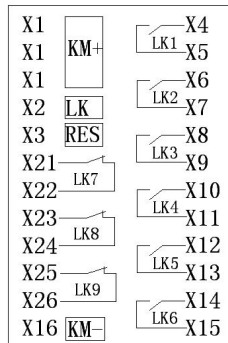


五. 系统接线图

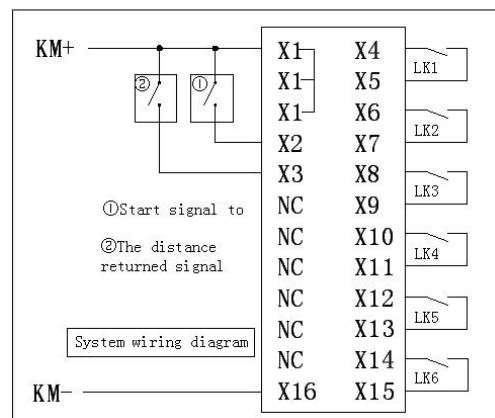
WZE160 Terminal wiring diagram



WZE163 Terminal wiring diagram



System wiring diagram



6. 操作及动作指示

在 KM+和 KM-之间接入额定电压 DC110V, KM 指示灯点亮 (绿色), 在输入回路 (X1 和 X2 之间) 接入启动信号①, 继电器瞬时动作, “Lockout” 指示灯点亮 (红色), 同时所有输出触点闭合或断开 (根据型号)。按手动复归按钮 “reset”, 或远方复归回路 (X1 和 X3 之间) 接入复归信号②, “Lockout” 指示灯熄灭, 所有输出触点返回。

WZE100 SERIES LOCKOUT RELAY

1, function

This relay is suitable for the generator transformer set protection and transformer protection, 1 road input, up to 9 deputy contact fast tripping protection and mail the letter.

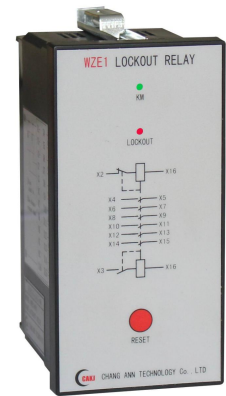
Export trip time is not more than 10 ms, ensure the quickness.

Installation method: embedded installation, fixed card buckle

Can be reset and in-place reset far away.

2. Product specifications

type	Normally open	Normally closed	power supply	instructions
WZE1				Lockout relay
	6	0		6 open 0 closed
	3	3		3 open 3 closed
	6	3		6 open 3 closed
	N	N		Optional (up to 9 pay contact)
			V1	DC110V
			V2	DC220V
			V3	DC125V
			V4	Custom



3. Technical parameters

nominal voltage Un: 220VDC/125VDC/110VDC

input circuit: 1

Allowable deviation: -20%~15%

Action time: typ.=8ms max=10ms

Continuous working current contact: Under the 110 v dc voltage, within 2s allowed by current not less than 10A, within 0.2s 30A (note: not to break the arc used to); In inductive circuit DC voltage 110V (t<40ms), Breaking capacity not less than 30W.

Rated power: ≤10W; Contact the biggest current: 8A

Insulating property: Between Coil & Contact 2000VAC(1minute)

Temperature range: working temperature -40°C~+70°C

Action range of values: <75%Un

Return way: manual/distance

Ripple coefficient: <5%

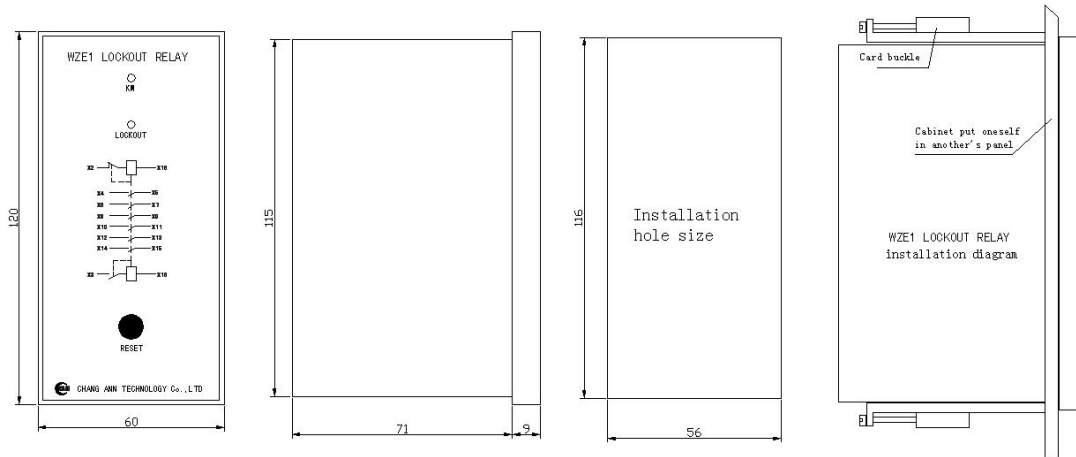
Output circuits: up to 9 road, often open/closed optional

Contact capacity: 8A@250VAC, 10A@30VDC

Insulation resistance≥100MΩ, Leakage current≤10mA

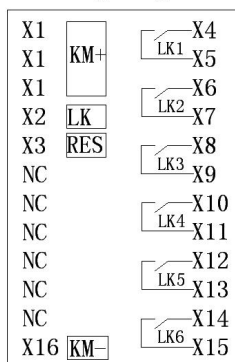
Storage temperature -40°C~+85°C

4. Appearance and installation hole size

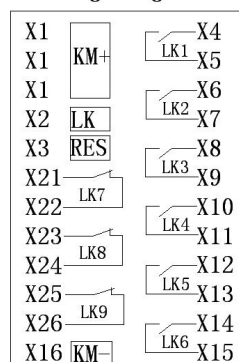


5. The terminal wiring diagram and system wiring diagram

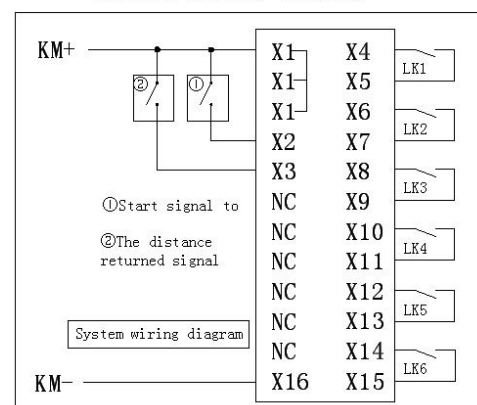
WZE160 Terminal wiring diagram



WZE163 Terminal wiring diagram



System wiring diagram



6. Operation and action instructions

Between KM + and KM -, access DC110V rated voltage, KM indicator light (green), In the input circuit (X1 and X2), access to the start signal①, Relay instantaneous action, "Lockout"indicator light (red), At the same time all output contact closure or disconnected (according to the type) 。 According to the manual reset button"reset", Or the distance reset circuit (between the X3 and X1) connected to the reset signal②, "Lockout"Light is put out, All output contact back.